

HT-400S

Full Height Turnstiles

Interior & Exterior Application

Dollar for dollar, Hayward Turnstiles are simply the best turnstile value in the access control industry.

We have engineered our turnstile product line with your needs in mind: Performance, aesthetics, reliability, and ease of maintenance.

In addition to turnstile and crowd control products, we offer design assistance for new installations, as well as custom fabricated devices.

Hayward Turnstiles provides access control systems regionally, nationally, and worldwide.

Contact us for more information about the new generation of turnstiles offered by Hayward Turnstiles.

Shown in Stainless Steel

Also available in Galvanized or Powder Coat

Available in Several Sizes:

	Depth	Width	Passage Width	Passage Height	Overall Height
	A*	B*	C*	D*	E*
HT427 S	54" 1372mm	62" 1575mm	27" 686mm	84" 2134mm	91" 2311mm
HT430 S	56" 1422mm	66" 1676mm	30" 762mm	84" 2134mm	91" 2311mm
HT439 S	68" 1727mm	84" 2134mm	39" 990mm	84" 2134mm	91" 2311mm
HT448 S	93" 2362mm	106" 2692mm	48" 1219mm	84" 2134mm	91" 2311mm

* See CAD drawings on reverse side.

APPLICATION:

The HT 400S Series Full Height Turnstiles are ideal for both indoor and outdoor settings. Wherever control of pedestrian traffic is necessary, these full height turnstiles will perform flawlessly.



Also available
in Tandem Size
as HT-400T

Full Security for Everyone's Needs

The HT 400S Series of Full Height Turnstiles are engineered to meet all your security and access control requirements. Used as either stand alone units or as part of a fully integrated security control package, these turnstiles will not only fit your needs but your budget as well.

Waist High

Full Height

Opticals

ADA Gates

Crowd Control



eTOP SOLUTION

PRODUCT FEATURES:

- Materials and finishes available in your choice of Galvanized, Powder Coated Black or Stainless Steel
- Equipped with Stainless Steel Arms and Lid
- Performance features include heavy-duty mechanism which was designed and built to withstand the abuse of a modern day, high traffic subway station

DESIGN & CONSTRUCTION

- Designed for secure operation with aesthetics in mind
- Features minimal exposed hardware and meets ASTM standards

CONTROLLER & ACCESS CONTROL OPERATION:

- Self centering control head with adjustable hydraulic shock suppression
- Hardened tool steel locking bars, cam & roller assemblies
- Permanently lubricated bearings
- Available in clockwise, counter- clockwise or bidirectional passage

DIMENSIONS:

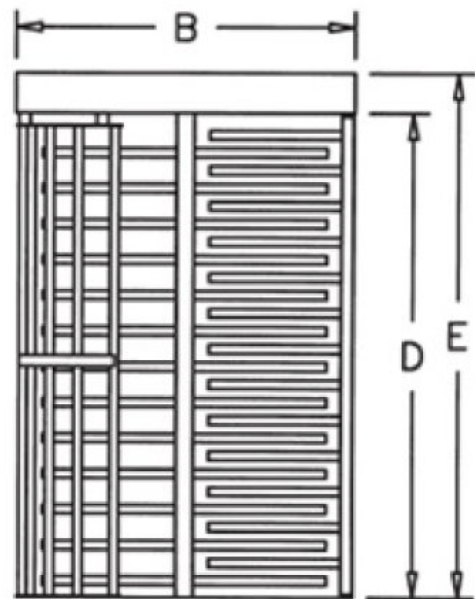
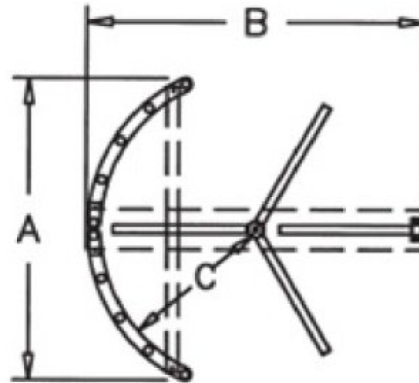
- See Chart on Page 1

OPTIONS:

- Electronic locking module featuring heavy duty 24 VDC solenoids and card reader interface
- Available as Fail-Safe (free passage on power failure) or Fail-Lock (locked passage on power failure)
- Can interface with card readers, computer attendance systems, coin or token acceptors, push buttons, wireless remote controls and metal detectors
- Electronic 6 digit resettable counter with LCD display
- Vertical Graphic Array - Red X / Green Arrow
- Additional options available on request

ELECTRICAL SPECIFICATIONS:

- Command Module input 110 VAC (2amp-1amp) 50-60 Hz stepped down to a safe 24 VDC output

**WARRANTY:**

Units are warranted against defects in materials & workmanship for a period of one year from date of shipment. See warranty information for details.

Waist High

Full Height

Opticals

ADA Gates

Crowd Control