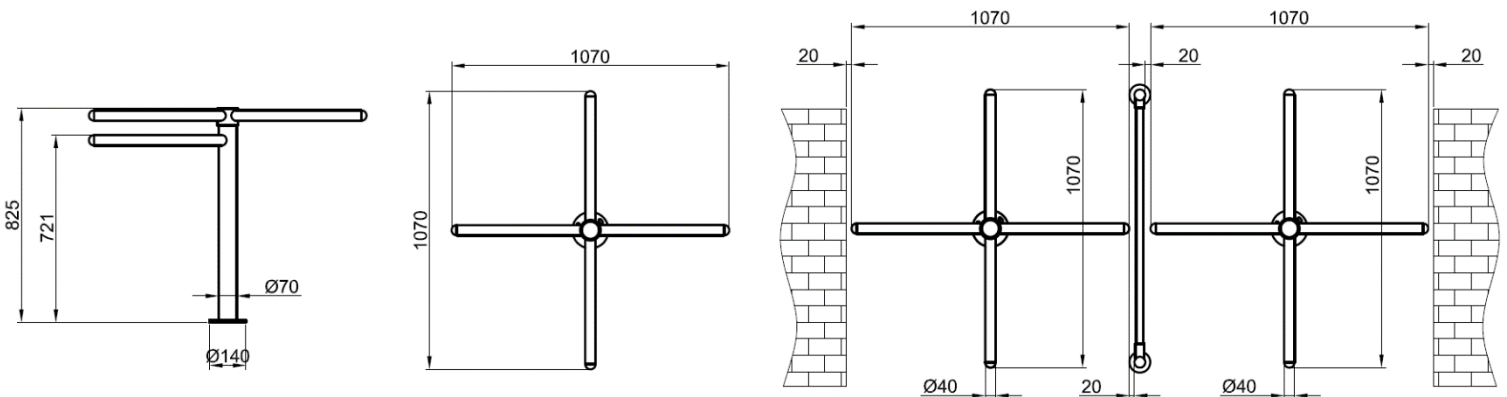




MRKT 404 TECHNICAL SPECIFICATIONS



Power Requirements: None

Dimensions : 1070x1070x825 mm

Arms : Ø40 x 2 mm 304 grade stainless steel (Opt. 316 grade stainless steel) rotating arms. (Ø42 x 2,5 mm steel fixed arm)

Body Features : Ø70 x 2 mm 304-grade (Opt. 316-grade) stainless steel.

IP Rating : IP 67

System Features : Manually operated unidirectional, push to rotate passage.

**Design and specifications are subject to change without notice.*