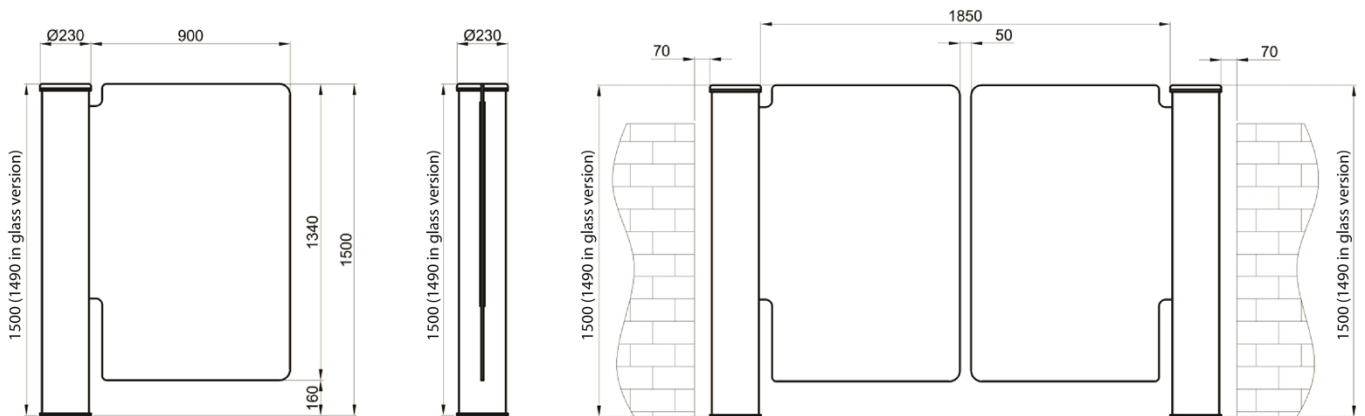
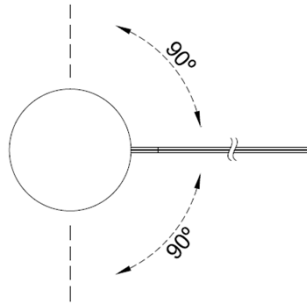




# GL A2 TECHNICAL SPECIFICATIONS



**Power Requirements** :110/220-240V. 60/50Hz. AC (%±10) 24V.DC at standby ~2W., max. ~65W. System is powered by a well regulated SMPS which can automatically compensate for voltage fluctuations.

**Dimensions** : Cylindrical body 1500mm (1490 with glass top lid)x Ø230mm + Wing width (900mm)

**Body Features** : 1mm thick, single piece, 304-Grade satin finished stainless steel cylindrical body.

**Wing Features** : Wing is made of 10,0 mm thick tempered glass. 900mm wing width and 1500 mm wing height are available as standard choices. Other dimensions are optionally available.

**Top Lid Features** : Standard 10 mm thick tempered glass or 20 mm thick natural granite (star galaxy black) stone top lid for a decorative and aesthetical appearance (opt. 20 mm stainless steel or other materials).

**Indicator Features** : Built-in circular RGB LED status indicators are located under top lid. Illumination is blue at stand-by, green during authorised passage and emergency mode, flashing red for unauthorised attempts or in alarm mode.

**Operating Temperature, Humidity, IP Rating, MCBF**



# GL A2 TECHNICAL SPECIFICATIONS

: -20°C - +68°C (Opt. -50°C with heater unit) / RH 95% non-condensing /  
IP 44 Indoor Model (Opt.For pipe wing versions IP 56 Option is available)/ 1M Cycles.

**Control System** : All inputs are opto-coupler protected .Controlled by dry contact or grounding input.  
Compatible with all access control systems that provide dry contact or grounding outputs. Optional RS232/RS485/TCP IP control module is available.

## System Features& Operation

: Microprocessor controlled, bi-directional DC motor driven mechanism with torque and speed adjustments. The system opens the wing in either direction upon receiving contact to allow passage.  
Glass wing automatically retreats when it pushes against an obstacle and goes into alarm mode after a second attempt.

**Emergency Mode** : In case of emergency input, the wing opens in either direction (pre-set direction by internal dip-switch) and the system stays in open position until the emergency input is removed.

**Power Failure** : Wing can be pushed open manually in either direction in case of a power failure.

**Wing Speed** : Wing speed is controlled by adjustable PWM controlled motor driver system.  
For 900mm passage width 10,0mm tempered glass wing:

- Wing Opening Speed : ~3,0 seconds by default, ~2,5 – 3,5 sec. adjustable.
- Wing Closing Speed : ~3,0 seconds by default, ~2,5 – 3,5 sec. adjustable.  
❖ 90° movement from original position.

**Standard Features** : Natural granite (star galaxy black) or tempered glass top lid, LED indicator lights.

## Optional Accessory and Applications

: Remote control unit, interface unit for PC, RS485, RS232 and LAN, counter, audio-messaging system, base plate, separator, card reader pole, different wing dimensions.

*\*Design and specifications are subject to change without notice.*